

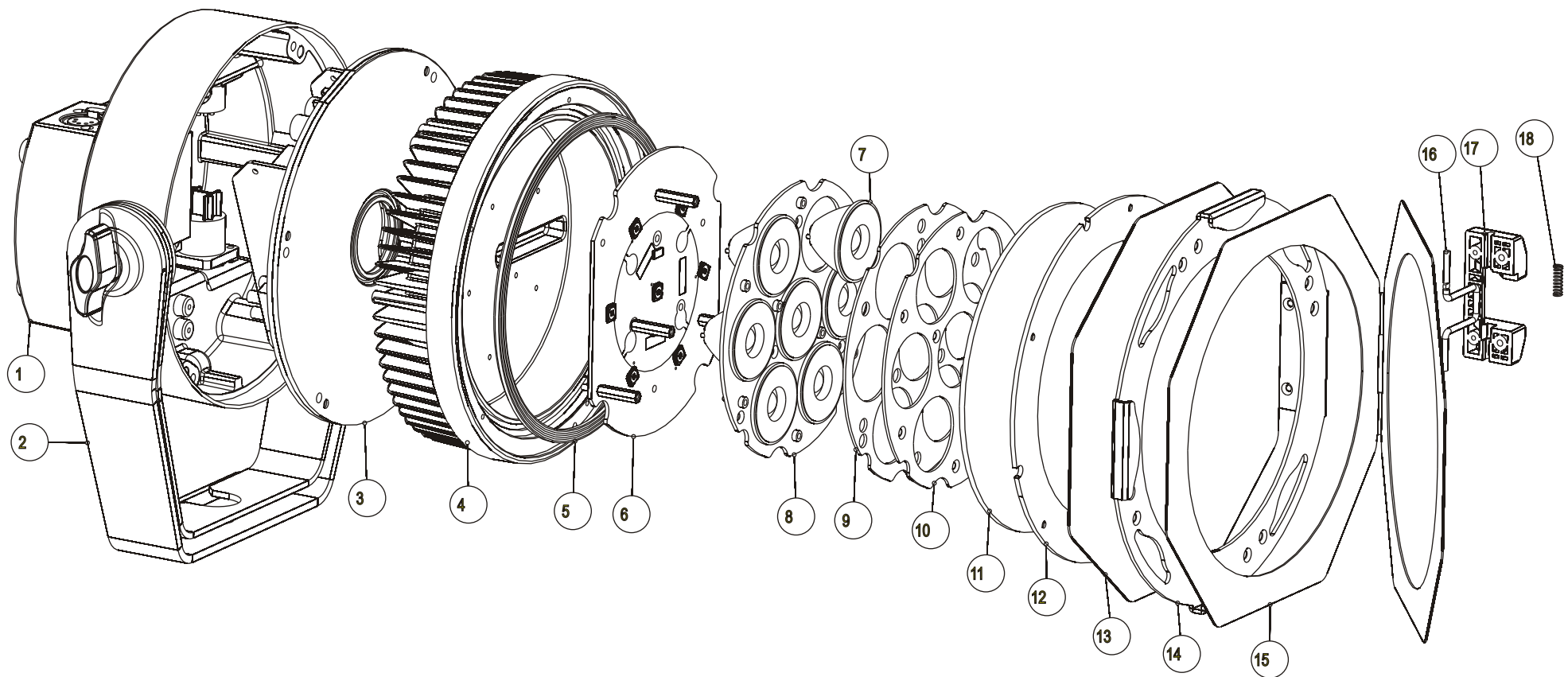
# Service manual

## LEVEL Q7 IP

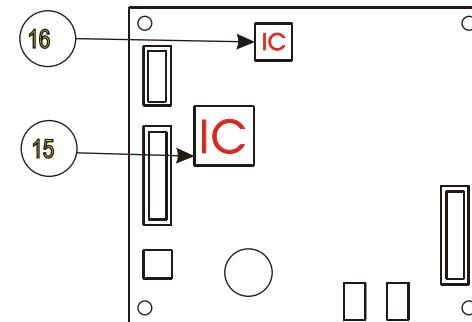
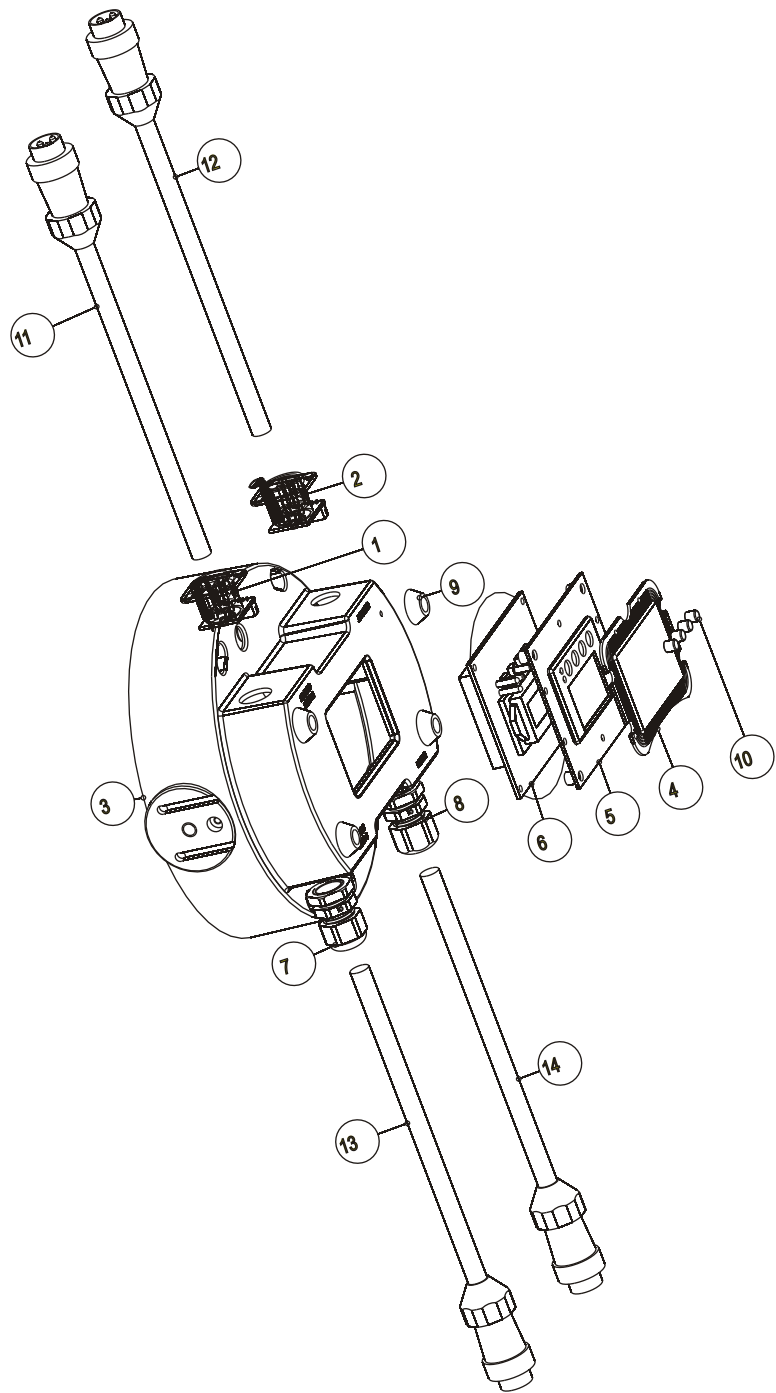
- ✘ **Exploded Diagrams**
- ✘ **Circuit Diagrams**
- ✘ **Wiring Diagrams**
- ✘ **Parts List**



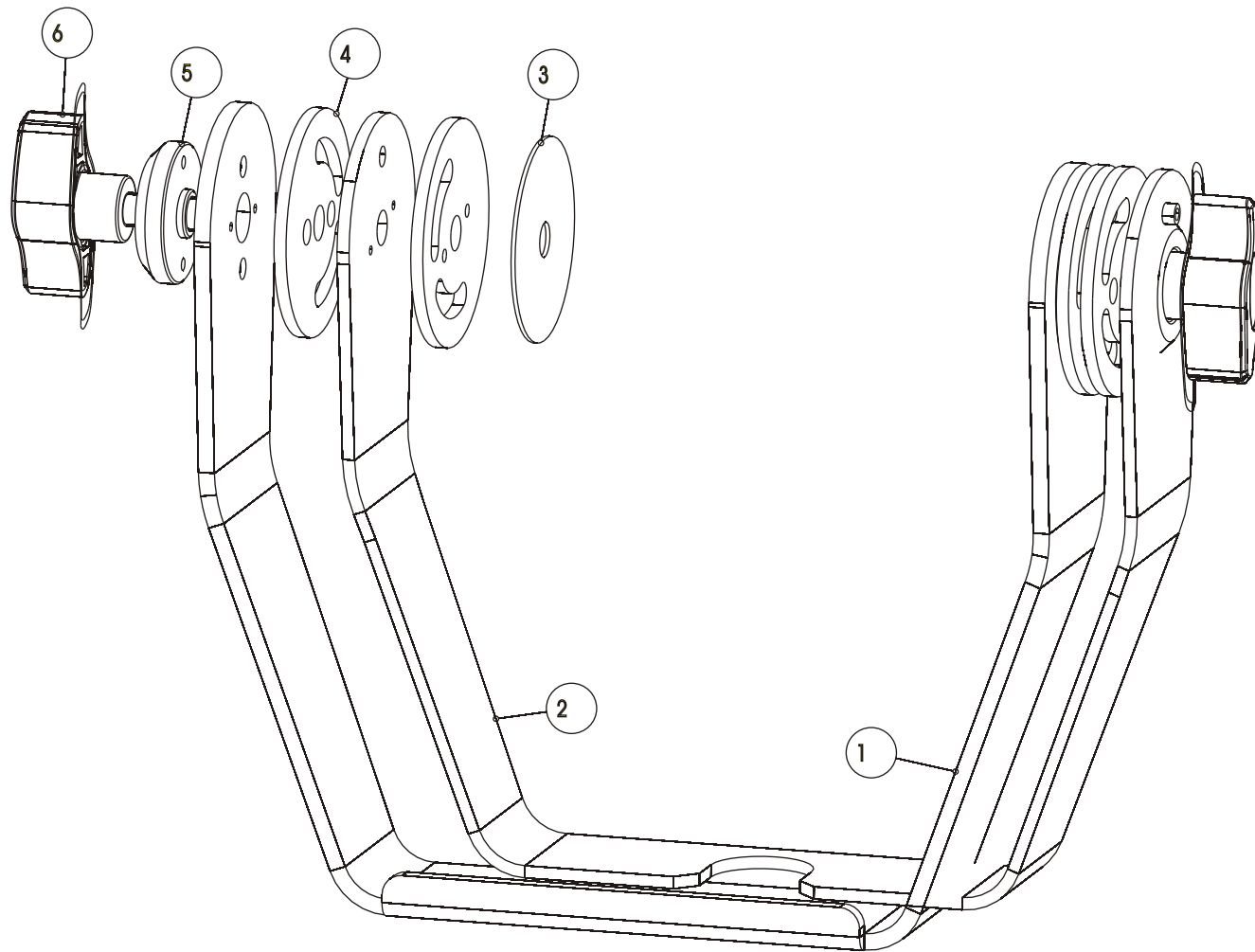
<b>PRODUCT</b>		<b>LEVEL Q7 IP</b>	
<b>PIC. NO.</b>		<b>Front Page</b>	Series No. 144300001-144300150
EDIT		FILE NO.	HY-EXP-1097A
CHECK		ORDER NO.	So20151725
APPROVE		VERSION	V104_003



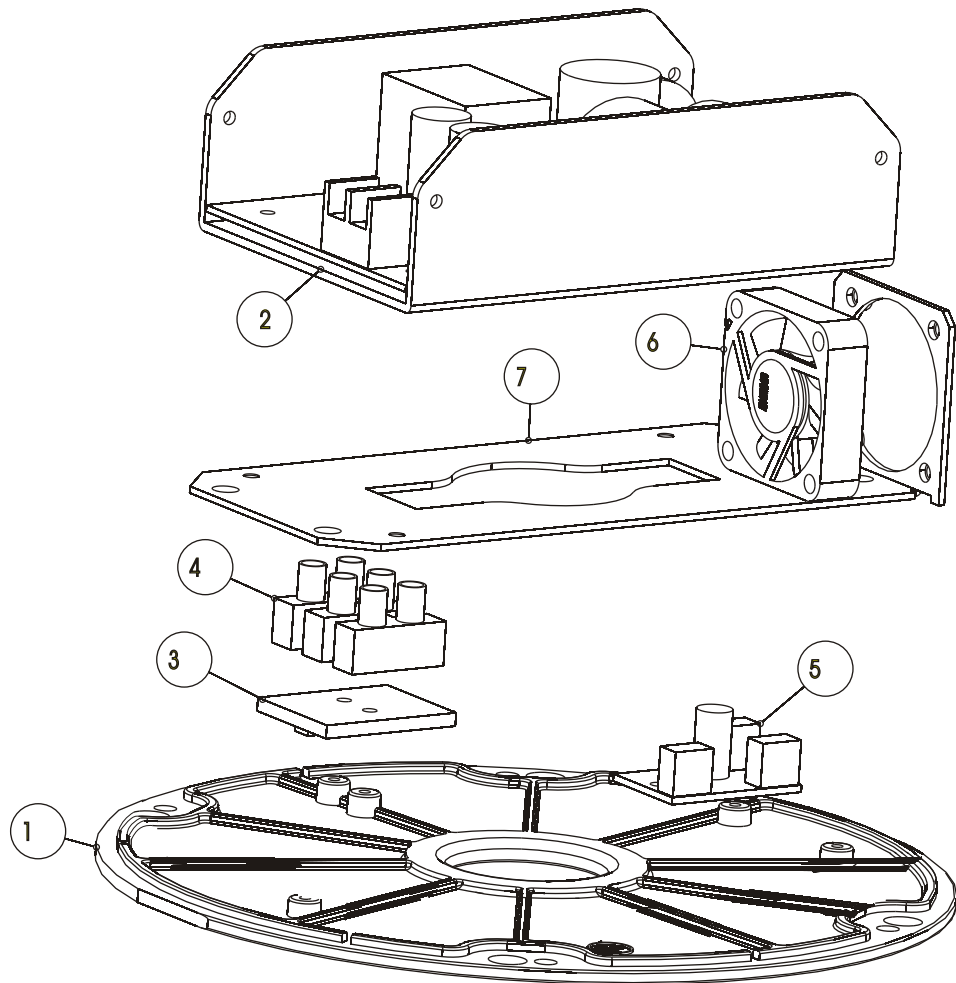
PRODUCT		LEVEL Q7 IP			
PIC. NO.		11-0083-00-00-00			
EDIT		FILE NO.	HY-EXP-1097A	PAGE NO.	1/8
CHECK		VERSION	V104_003	DATE	2015.12.02
APPROVE		ECN NO.		DATE	



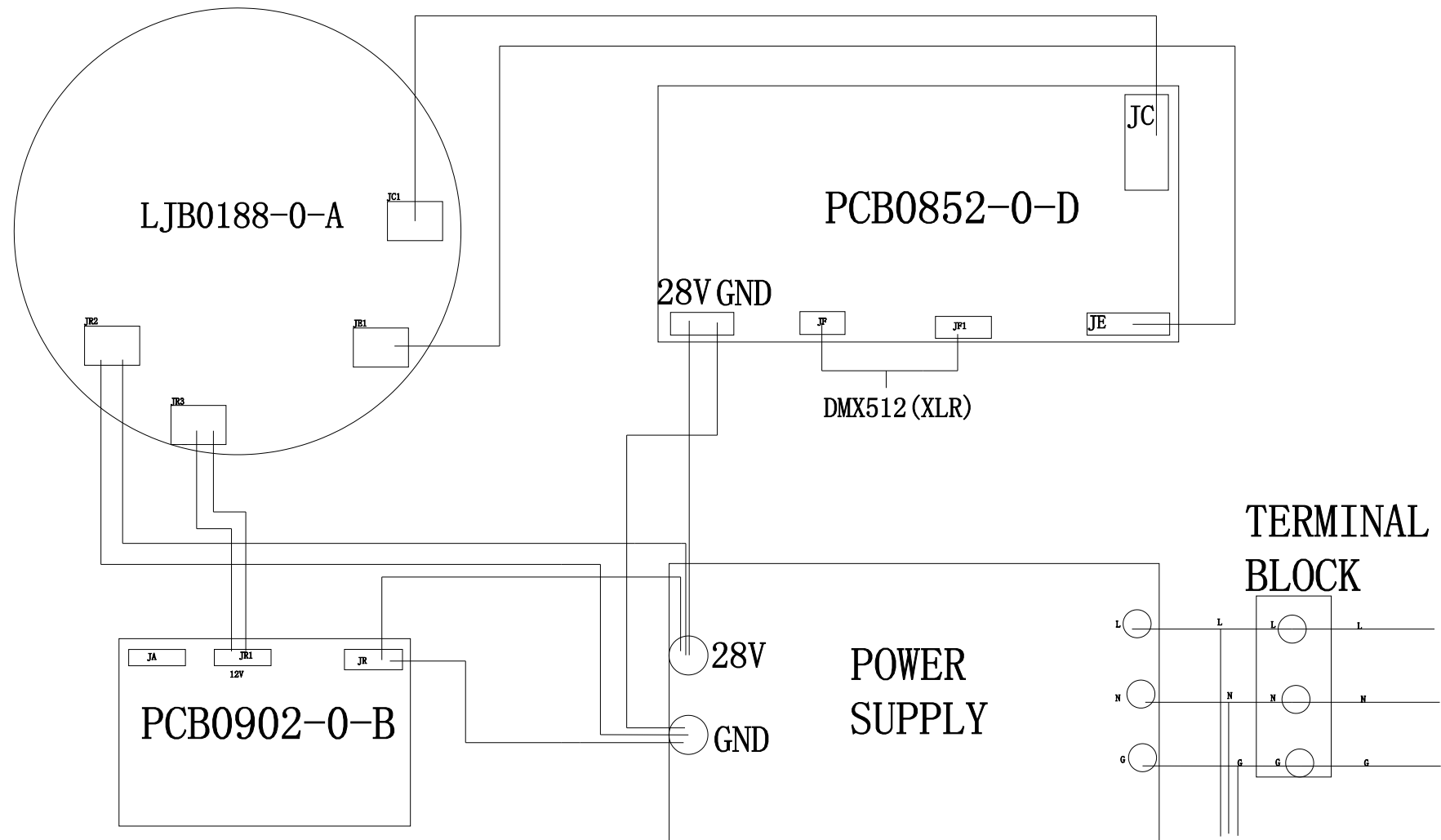
PRODUCT		LEVEL Q7 IP			
PIC. NO.		11-0083-01-00-00			
EDIT		FILE NO.	HY-EXP-1097A	PAGE NO.	2/8
CHECK		VERSION	V104_003	DATE	2015.12.02
APPROVE		ECN NO.		DATE	



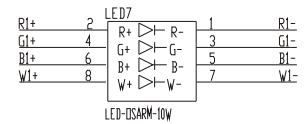
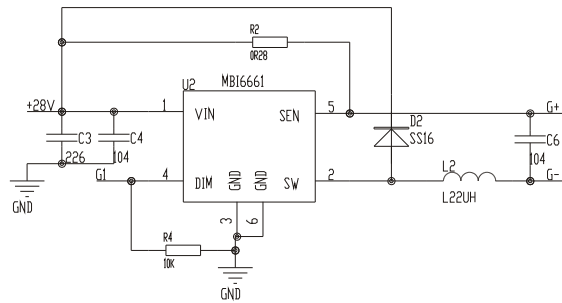
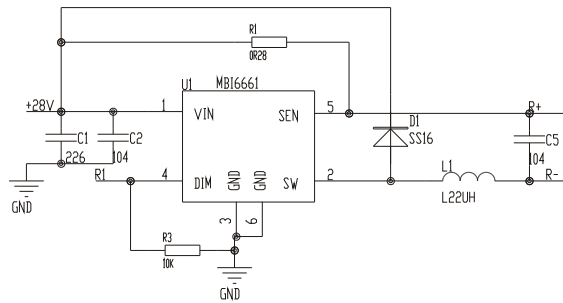
PRODUCT		LEVEL Q7 IP			
PIC. NO.		11-0082-02-00-00			
EDIT		FILE NO.	HY-EXP-1097A	PAGE NO.	3/8
CHECK		VERSION	V104_003	DATE	2015.12.02
APPROVE		ECN NO.		DATE	



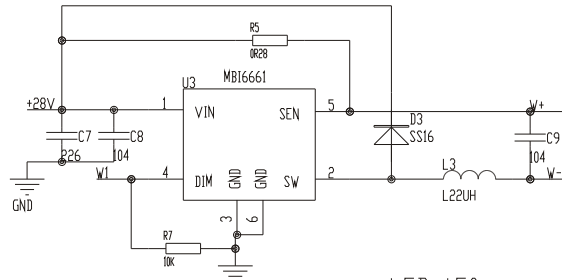
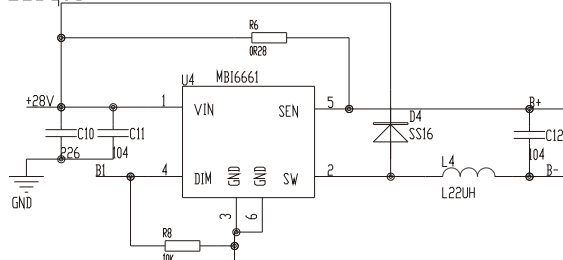
PRODUCT		LEVEL Q7 IP			
PIC. NO.		11-0082-03-00-00			
EDIT		FILE NO.	HY-EXP-1097A	PAGE NO.	4/8
CHECK		VERSION	V104_003	DATE	2015.12.02
APPROVE		ECN NO.		DATE	



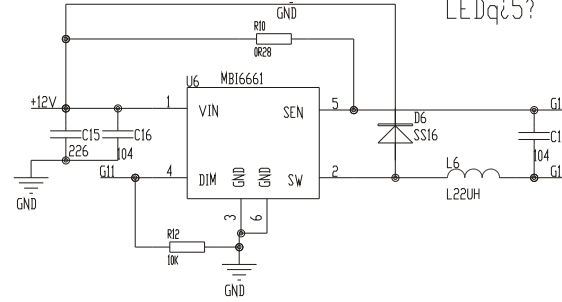
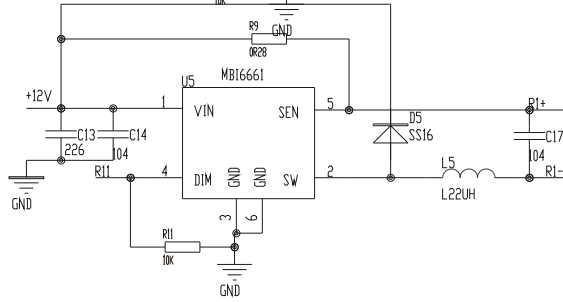
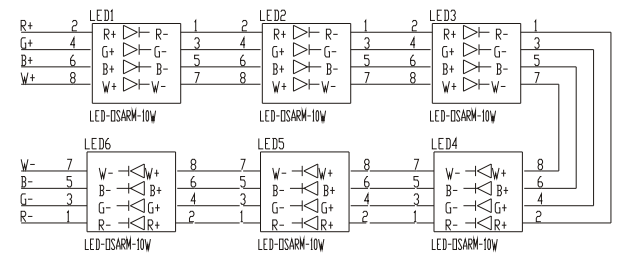
PRODUCT		LEVEL Q7 IP			
PIC. NO.		LEVEL Q7 ELECTRIC			
EDIT		FILE NO.	HY-WIJL-G160	PAGE NO.	5/8
CHECK		VERSION	NR	DATE	2015.12.02
APPROVE		ECN NO.		DATE	



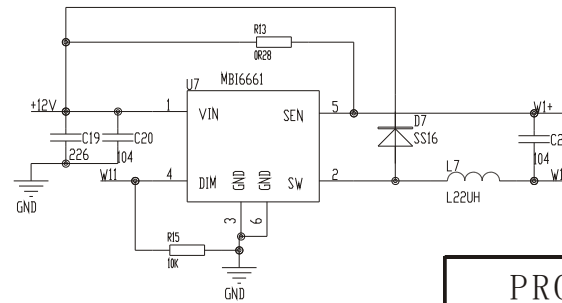
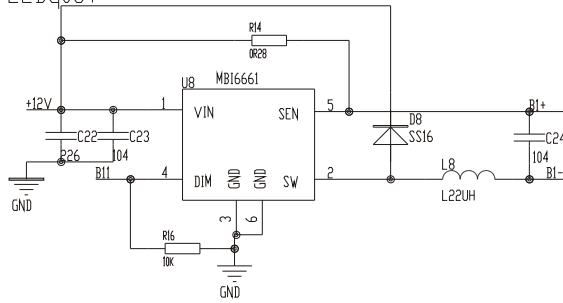
LEDq¿5?



LEDq¿5?



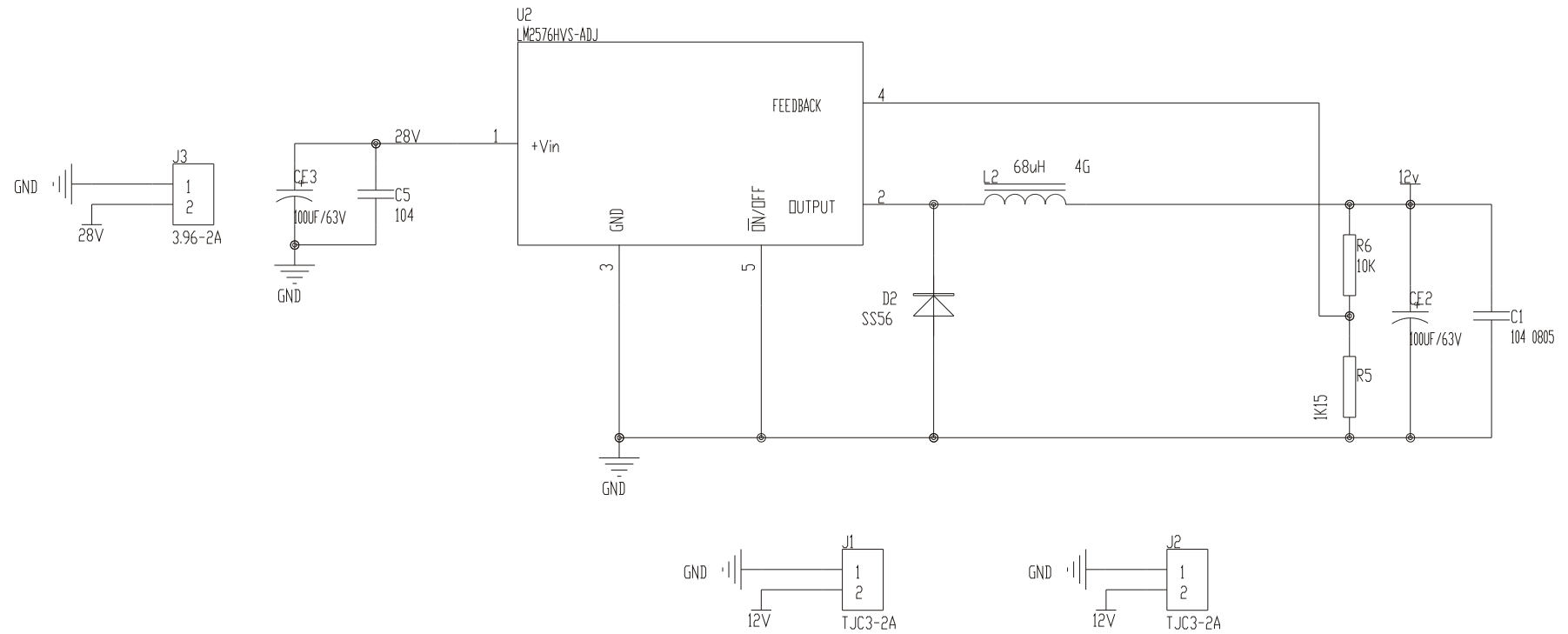
LEDq¿5?



PRODUCT		LEVEL Q7 IP			
PIC. NO.		LJB0188-0-A SCHEME			
EDIT		FILE NO.	HY-EIEC-1111	PAGE NO.	7/8
CHECK		VERSION	NR	DATE	2015.12.02
APPROVE		ECN NO.		DATE	







PRODUCT		LEVEL Q7 IP			
PIC. NO.		PCB0902-0-B SCHEME			
EDIT		FILE NO.	HY-EIEC-1113	PAGE NO.	8/8
CHECK		VERSION	NR	DATE	2015.12.02
APPROVE		ECN NO.		DATE	